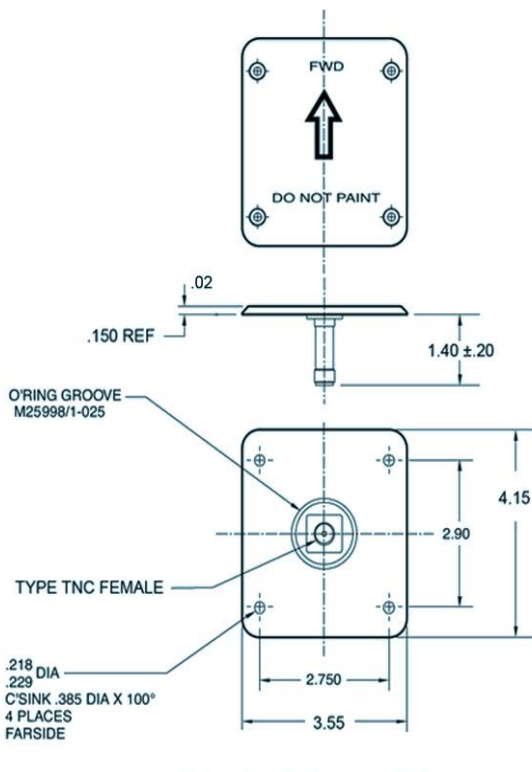


Altimeter Antenna S67-2002-18



Please Note: For REFERENCE ONLY
Contact Sensor Systems for latest drawing

Description

S67-2002-18: Thin, flush-mounted radio altimeter antenna designed to provide improved performance as well as to reduce size and weight. Small size provides ease of mounting and is ideal for General Aviation and ARINC equipment. The antenna is smaller and lighter than existing horns. Requires mounting with four 10-32 screws. Unit is interchangeable with Collins, Bendix, Sperry, Honeywell and TRT Systems.

NSN: 5985-01-479-9858

FEDERAL & MILITARY SPECS: FAA TSO-C87, EASA ETSO-2C87, ARINC 708/552, MIL-E-5272C, MIL-E-5400, BAC S220T112, D6-44599.

Specifications

Electrical

Frequency	4200 - 4400 MHz
VSWR	≤ 1.5:1 (4275-4325 MHz) ≤ 2.3:1 (4200-4400 MHz)
Gain	9.5 dBi
Polarization	Linear
Impedance	50 Ω
Power	5 Watts Average 500 Watt Peak
Beam Width	Roll Plane 45° Min. (E) Pitch Plane 40° Min. (H)
Sideload Level	-40dB

Mechanical

Weight	0.25 lbs.
Height	0.15 in.
Length	4.15 in.
Width	3.55 in.
Material	6061-T6 Aluminum / Teflon Glass
Finish	Skydrol Resistant Enamel
Connector	TNC Female

Environmental

Temperature	-55°C (-67°F) to +85°C (+185°F)
Altitude	-1000 to 45,000 ft.



A HEICO COMPANY

Website: www.sensorantennas.com

Phone: 818-341-5366