

Satcom Iridium S67-1575-409



Description

S67-1575-409: TSO-approved Iridium antenna covers the Iridium frequency range of 1616 MHz to 1626.5 MHz for world-wide Iridium system operations. Supports FOI (FANS over Iridium) and ADS-B over Iridium. The S67-1575-409 is approved as Iridium Compatible Equipment (ICE). The low-profile, molded radome material and design insures superior protection against lightning strikes, rain and ice. Qualified for high-speed military aircraft as well as ARINC applications.

FEDERAL & MILITARY SPECS: TSO-C159a, DO-160D/E, DO-262A, MIL-DTL-5541, MIL-HDBK-5400, MIL-STD-810.

Specifications

Electrical

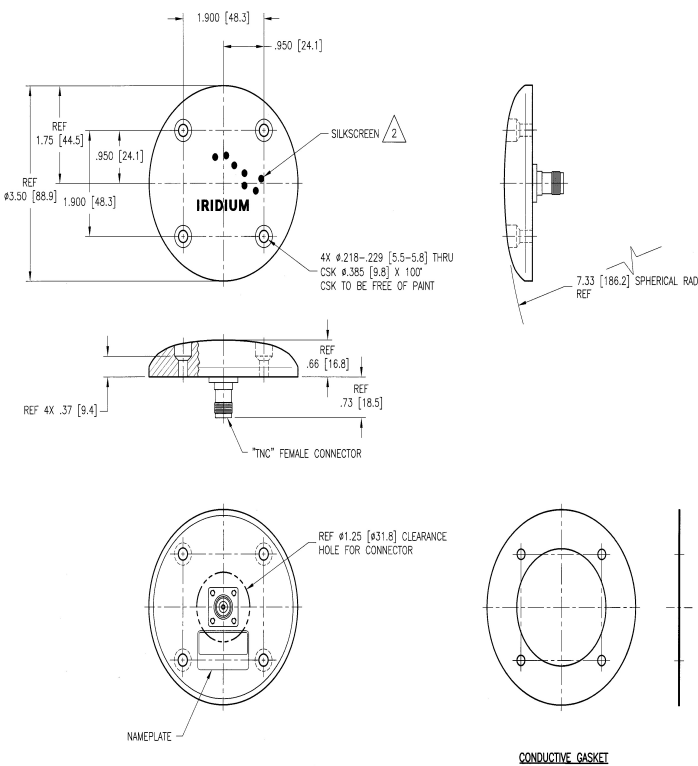
Frequency	1616.0-1626.5 MHz
VSWR	≤1.5:1
Polarization	RCHP
Impedance	50 Ω
Power Handling	60 Watts Continuous
Gain	+2.0 dBic 0° ≤ Ø ≤ 20°
	+0.5 dBic 20° ≤ Ø ≤ 60°
	-1.0 dBic 60° ≤ Ø ≤ 75°
	-2.5 dBic 75° ≤ Ø ≤ 80°
	-4.5 dBic 80° ≤ Ø ≤ 82°

Mechanical

Weight	6 oz. (170 g)
Height	.66 in. (16.8 mm)
Diameter	3.50 in. (88.9 mm)
Material	6061-T651 Aluminum Alloy / Thermoset Plastic
Finish	Skydrol Resistant Polyurethane Enamel
Connector	TNC Female

Environmental

Temperature	-55°C (-67°F) to +85°C (+185°F)
Altitude	55,000 ft.



Please Note: For REFERENCE ONLY
Contact Sensor Systems for latest drawing



A HEICO COMPANY

Website: www.sensorantennas.com

Phone: 818-341-5366