

VHF/UHF S65-8282-468



Description

S65-8282-468: A top-loaded, high-gain antenna tuned through the 30 - 512 MHz frequency band for use with Collins ARC-210, Raytheon ARC-231, Rhode & Schwarz M3AR 6000, Harris AN/PRC 117 and similar radios. Features an 8-hole bolt pattern compatible with Collins 437 SI series antennas. Ruggedly constructed to assure continued functionality in extreme environments. BNC female connector. Ideal for usage in a variety of airborne installations from UAVs to cargo and transport type fixed-wing aircraft.

FEDERAL & MILITARY SPECS: MIL-C-5400H, MIL-E-5272C, MIL-A-7772B (ASG).

Specifications

Electrical

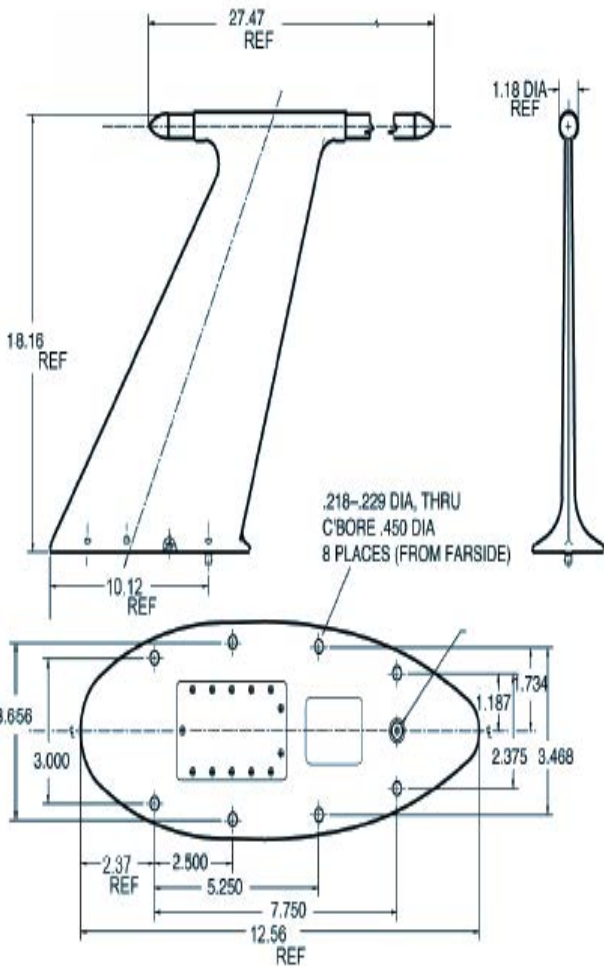
Frequency	30-88 MHz (VHF/FM) 108-174 MHz (VHF/AM) 225-512 MHz (UHF)
VSWR	≤ 2.6:1 (VHF/FM) ≤ 2.3:1 (VHF/AM) ≤ 2.3:1 (UHF)
Gain dBi	-14: (30 MHz) -5: (88 MHz) -4: (108 MHz) +1: (174 MHz) +3: (225 MHz) +1/0 (512 MHz)
Pattern	Omnidirectional in Azimuth Cosinusoidal in Elevation
Polarization	Vertical
Impedance	50 Ω
Power	100 Watts, 50% duty cycle

Mechanical

Weight	4.50 lbs.
Height	18.16 in.
Material	6061-T61 Aluminum / glass
Finish	Skydrol Resistant Polyurethane
Connector	BNC Female
Drag	2.8 lbs. Mach .85 @ 35,000 ft.

Environmental

Temperature	-53°C (-65°F) to +71°C (+160°F)
Altitude	60,000 ft.



Please Note: For REFERENCE ONLY
Contact Sensor Systems for latest drawing



A HEICO COMPANY

Website: www.sensorantennas.com

Phone: 818-341-5366