



Description

S65-8282-101: Low-gain Satcom antenna covering Inmarsat frequency range of 1530 to 1559 MHz and 1625.5 to 1660.5 MHz, designed to meet SB200 Class 15 service. The broad-band coverage of the antenna also includes frequencies of 1616 to 1626.5 MHz for Iridium Satellite Services voice and data applications. The unit provides over 90% sky coverage.

The antenna is approved for Inmarsat Aero-Land Aero-C (store-and-forward) applications. May be used as a back-up antenna for the high-gain ARINC 741 antenna.

The S65-8282-101 is also approved as Iridium Compatible Equipment (ICE).

NSN: 5985-01-457-5077

Federal & Military Certifications: FAA PMA, DO-160D, MIL-HDBK-5400T, MIL-STD-810D, TSO C132 AND TSO C159a.

Specifications

Environmental

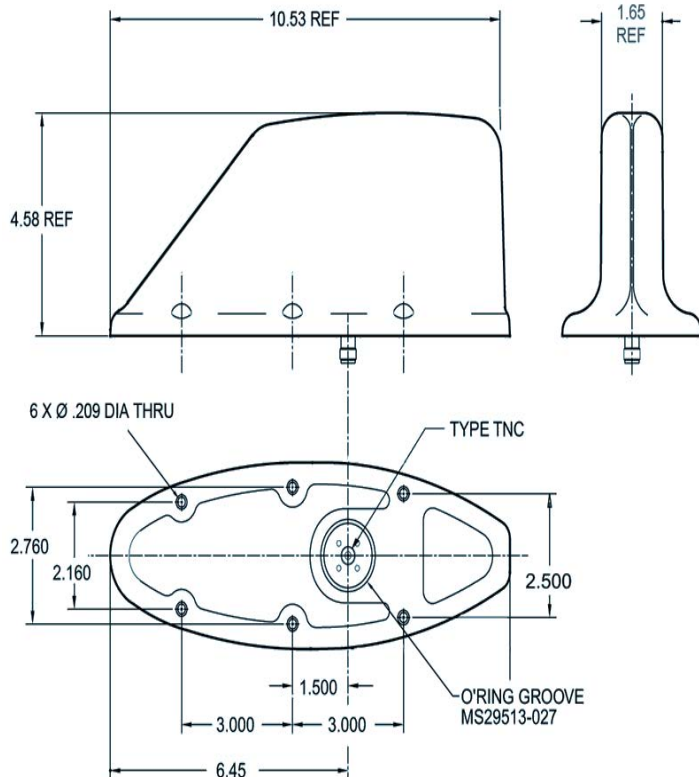
Frequency	Inmarsat: Receive:1530 - 1559 MHz Transmit: 1616.0 - 1626.5 MHz Iridium: Receive: 1616.0 - 1626.5 MHz Transmit: 1616.0 - 1626.5 MHz
VSWR	Inmarsat: ≤ 1.5:1 Iridium: ≤ 1.3:1
Gain	≥ 2.7 dBic Minimum Coverage 98%
Axial Ratio	≥ 3.8 dB Minimum Coverage Volume: 93.6%
Polarization	RHCP
Impedance	50 Ω
Power Handling	60 Watts CW

Mechanical

Weight	1.35 lbs.
Height	4.58 in.
Length	11 in.
Width	4.25 in
Material	6061-T6 Aluminum Alloy / Thermoset Plastic
Finish	Skydrol Resistant Polyurethane Enamel
Connector	TNC Female
Drag	1.1 lbs. @ Mach .85 @ 35,000 ft.

Environmental

Temperature	-55°C (-65°F) to +85°C (+185°F)
Altitude	70,000 ft.



Please Note: For REFERENCE ONLY
Contact Sensor Systems for latest drawing



A HEICO COMPANY

Website: www.sensorantennas.com

Phone: 818-341-5366