



### Description

**S65-5366-895L:** Vertically-polarized, omni-directional L-Band antenna operating from 960 to 1220 MHz, compliant with UAT (978 MHz) and ADS-B (1090 MHz) TSO-166b system specifications. Also supports ATC Mode-S and DME applications. VSWR is less than 1.5:1 throughout entire frequency band.

Transmit mode displays a gain of better than minus 3 dB over 90% of the coverage volume from 0 to 360 degrees in azimuth and 5 to 30 degrees above the ground plane when compared to the standard 1/4-wave monopole.

Receive mode has a gain of better than one dB over 90% of the coverage volume from 0 to 360 degrees in azimuth and -15 to + 20 degrees in elevation when compared to a 1/4-wave monopole.

Rugged, all-metal aluminum casting with a 4-hole bolt pattern. For commercial, military and general aviation aircraft.

**Federal & Military Certifications:** TSO-C66c, C74d, C154c, C166b, MIL-DTL-25708F, MIL-STD-877, DO-160D/G, DO-204A, DO-260B CLASS A 1, DO-282B CLASS A1H/ OR 14, SAE ARP5416.

### Specifications

#### Electrical

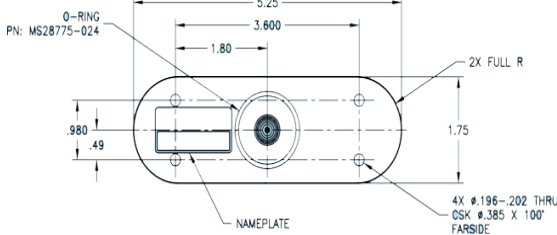
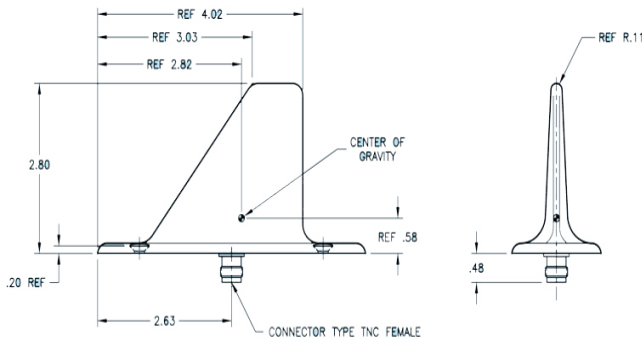
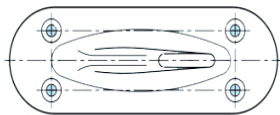
Frequency	1090 MHz ± 1 MHz (ADS-B) 1030-1090 MHz (Mode S) 978 MHz (UAT) 967-1213 MHz (DME) 960-1220 MHz (L-Band, XPNDR)
VSWR	≤1.5:1
Patterns	Omni/Az ≤ 1dB, Cos/EI >90% coverage volume
Polarization	Vertical
Impedance	50Ω
Power	2000 Watts Peak 100 Watts continuous

#### Mechanical

Weight	5.0 oz.
Height	3.28 in.
Material	A-356 Aluminum Alloy Casting
Finish	Skydrol Resistant Polyurethane Enamel
Connector	TNC Female

#### Environmental

Temperature	-55°C (-67°F) to +85°C (+185°F)
Altitude	Up to 50,000 ft.



Please Note: For REFERENCE ONLY  
Contact Sensor Systems for latest drawing



A HEICO COMPANY

Website: [www.sensorantennas.com](http://www.sensorantennas.com)

Phone: 818-341-5366