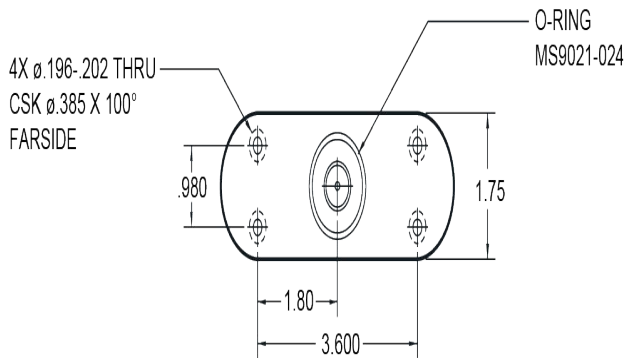
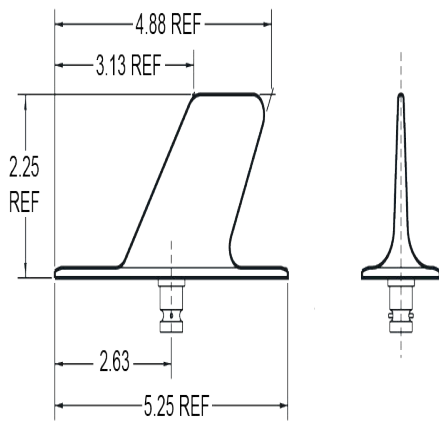


L-Band S65-5366-7L



Description

S65-5366-7L: Vertically polarized, omnidirectional L-Band antenna operating from 960 to 1220 MHz. The antenna can be used with transponders, DME, ATC, IFF, TACAN and Mode-S applications. The antenna's rugged design is constructed from an all-metal aluminum casting with a 4-hole bolt pattern and a C connector.

The antenna is DC grounded for a long service life.

Federal & Military Certifications:

FAA TSO C66b, C74c, C112 and C119, MIL-A-25708A, MIL-A-25730B, MIL-A-7772B, MIL-E-5272C, MIL-E-5400H, MIL-STD-8C and MIL-STD-810C.

Specifications

Electrical

Frequency	960-1220 MHz
VSWR	≤1.70:1 (960-1220 MHz) ≤1.42:1 (1000-1100 MHz)
Polarization	Vertical
Pattern	Omnidirectional in Azimuth Cosinusoidal in Elevation
Impedance	50 Ω
Power	250 Watts Continuous 4000 Watts Peak

Mechanical

Weight	4 oz.
Height	2.25 in.
Length	5.25 in.
Width	1.75 in.
Material	A-356 Aluminum Alloy
Finish	Skydrol Resistant Polyurethane Enamel
Connector	C Female

Environmental

Temperature (Operating)	-61°C (-77°F) to +85°C (+185°F)
Altitude	-1800 ft. to 70,000 ft.

Please Note: For REFERENCE ONLY
Contact Sensor Systems for latest drawing



A HEICO COMPANY

Website: www.sensorantennas.com

Phone: 818-341-5366