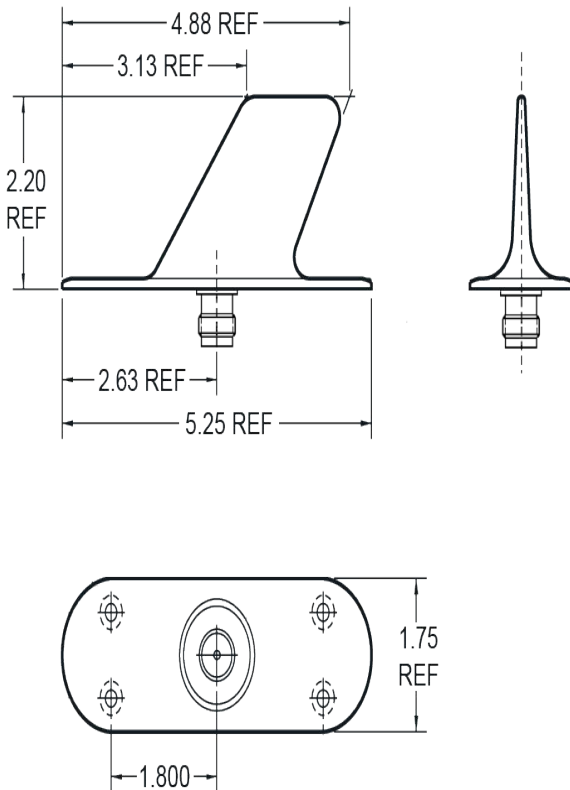


L-Band S65-5366-3L



Please Note: For REFERENCE ONLY
Contact Sensor Systems for latest drawing

Description

S65-5366-3L: Rugged and highly efficient L-Band antenna to be used with DME, ATC, IFF, TACAN and MODE-S applications. The antenna is constructed from an all-metal aluminum casting with a 4-hole bolt pattern and a TNC connector.

The antenna is DC grounded to protect from lightning for a long service life.

The antenna is ideal for commercial, military and general aviation aircraft.

Federal & Military Certifications: FAA TSO C66c, C74d and C112e, Boeing D6-81926(G), DO-160D/G, MIL-STD-810D and SAE ARP5416.

Specifications

Electrical

| | |
|--------------|---|
| Frequency | 960-1220 MHz |
| VSWR | ≤1.70:1 (960-1220 MHz) ≤1.40:1 (1000-1100 MHz) |
| Polarization | Vertical |
| Pattern | 1/4 Wave Monopole |
| Impedance | 50 Ω |
| Power | 250 Watts Continuous 2500 Watts Peak |

Mechanical

| | |
|-----------|---------------------------------------|
| Weight | 4 oz. |
| Height | 2.20 in. |
| Length | 5.25 in. |
| Width | 1.75 in. |
| Material | A-356 Aluminum Alloy |
| Finish | Skydrol Resistant Polyurethane Enamel |
| Connector | TNC Female |

Environmental

| | |
|-------------|---------------------------------|
| Temperature | -55°C (-67°F) to +85°C (+185°F) |
| Altitude | -2000 ft. to 50,000 ft. |



A HEICO COMPANY

Website: www.sensorantennas.com

Phone: 818-341-5366