

L-Band S65-5366-10L



Description

S65-5366-10L: Rugged and highly efficient L-Band antenna to be used with transponder, DME, ATC, IFF, TACAN and MODE-S applications. The antenna is constructed from an all-metal stainless steel.

The antenna features a 6-hole bolt pattern with an N female connector and an o-ring seal.

The antenna is ideal for commercial, military and general aviation.

Federal & Military Certifications: FAA TSO C66b, C74c and C112e, DO-144A, DO-160D/G, DO-181E, and DO-189, MIL-HDBK-5400, MIL-STD-810D and SAE-ARP 5416.

Specifications

Electrical

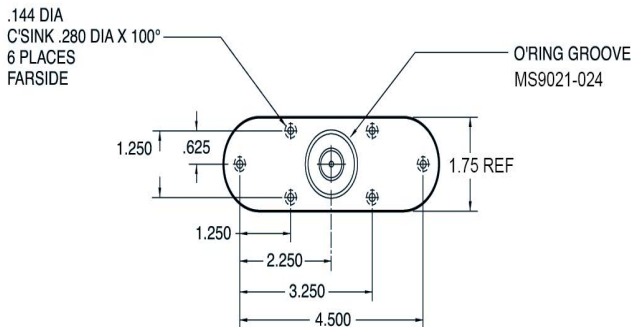
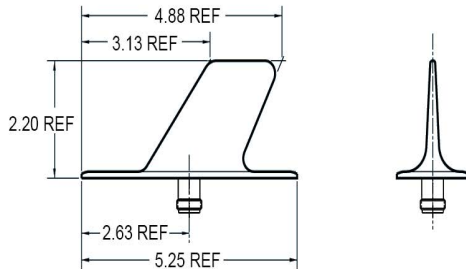
Frequency	960-1220 MHz
VSWR	≤1.70:1 (960-1220 MHz) ≤1.40:1 (1000-1100 MHz)
Polarization	Vertical
Pattern	Omnidirectional in Azimuth Cosinusoidal in Elevation
Impedance	50 Ω
Power	250 Watts Continuous 2500 Watts Peak

Mechanical

Weight	4.7 oz. Max.
Height	2.20 in.
Length	5.25 in.
Width	1.75 in.
Material	A-356 Aluminum Alloy
Finish	Skydrol Resistant Polyurethane Enamel
Connector	N Female

Environmental

Temperature (Operating)	-55°C (-67°F) to +85°C (+185°F)
Altitude	50,000 ft.



Please Note: For REFERENCE ONLY
Contact Sensor Systems for latest drawing



A HEICO COMPANY

Website: www.sensorantennas.com

Phone: 818-341-5366