

Localizer S65-147-7



Description

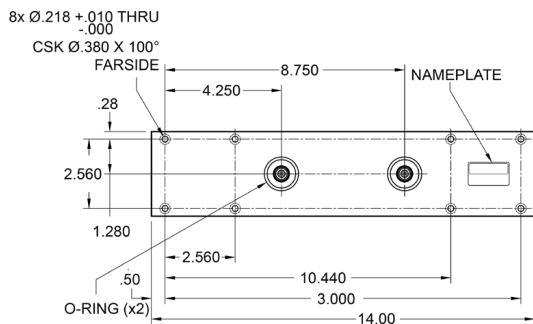
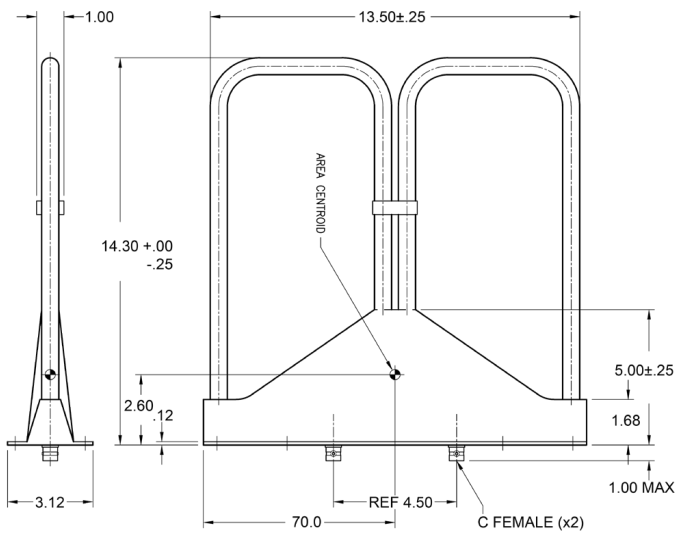
This antenna is manufactured using high-strength aluminum tubing and extrusion, which imparts robustness to the structure. The fiberglass base housing further enhances the durability of the antenna.

The **S65-147-7** antenna is designed to radiate a horizontally polarized signal, thereby improving the propagation characteristics.

This antenna has a proven track record of high reliability and is installed as original equipment on Boeing's 747, 757, 767, 777 and Fokker 100 aircrafts.

Federal & Military Certifications:

TSO C36e, ETSO 2C36f, DO-160E, MIL-E-5272C, MIL-E-5400H, and ARINC Characteristic 547 & 710.



Please Note: For REFERENCE ONLY
Contact Sensor Systems for latest drawing

Specifications

Electrical

Frequency	108-112 MHz
VSWR	5.0:1
Polarization	Horizontal
Impedance	50 Ω

Mechanical

Weight	2.2 lbs.
Height	14.30 in.
Length	14.00 in.
Width	3.12 in.
Material	Aluminum with Epoxy / Fiberglass
Finish	Light Gray Primer
Connector	C Female

Environmental

Temperature (Operating)	-73°C (-100°F) to +121°C (+250°F)
Altitude	80,000 ft.



A HEICO COMPANY

Website: www.sensorantennas.com

Phone: 818-341-5366