

UHF S65-1026



Description

This is high-powered UHF, receive-only antenna is made from aluminum casting. The antenna is internally supported to offer maximum side loading effect and resistance to extreme temperatures.

The antenna is compatible with AWACS UHF communications.

Federal & Military Certifications:

MIL-E-5400.

Specifications

Electrical

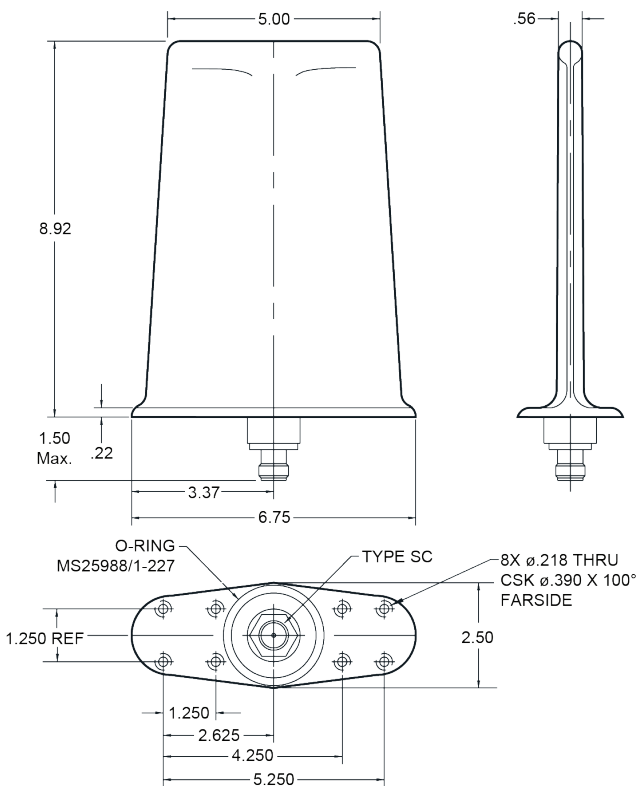
Frequency	225-400 MHz
VSWR (50 Ref)	225-250 MHz: 2.0:1 250-400 MHz: 1.65:1
Gain	≥ 0 dBi (Avg. to $\pm 15^\circ$) 7 dB (Min. gain within 7 dB of avg. or med.)
Polarization	Vertical $\pm 15^\circ$ Elevation
Pattern	360° Azimuth, $\pm 15^\circ$ Elevation
Power	1 kw Average, 2 kw Peak (to 40 k ft.)
Efficiency	>85%
Roll Off	60 dB/Decade below 225 MHz

Mechanical

Weight	2.5 lbs.
Height	8.92 in.
Length	6.75 in.
Width	2.50 in.
Finish	Polyurethane Enamel
Connector	SC Female

Environmental

Temperature	Operating and non-operating requirements of 3.2.24.1 of MIL-E-5400 for Class I equipment shall apply.
-------------	---



Please Note: For REFERENCE ONLY
Contact Sensor Systems for latest drawing



A HEICO COMPANY

Website: www.sensorantennas.com

Phone: 818-341-5366