

# UHF S65-1025



## Description

This is high-powered UHF, receive-only antenna is made from aluminum casting. The antenna is internally supported to offer maximum side loading effect and resistance to extreme temperatures. The power handling capability is 10 kw.

The antenna is compatible with AWACS UHF communications.

## Federal & Military Certifications:

MIL-DTL-5541 and MIL-E-5400.

## Specifications

### Electrical

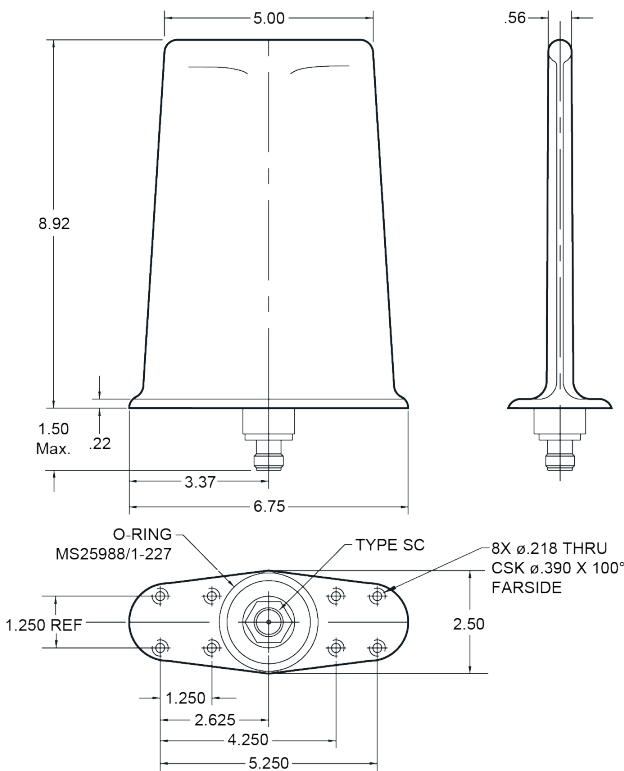
Frequency	225-400 MHz
VSWR	225-250 MHz: 2.0:1 250-400 MHz: 1.65:1
Gain	$\geq 0$ dBi (Avg. to $\pm 15^\circ$ ) 7 dB (Min. gain within 7 dB of avg. or med.)
Polarization	Vertical $\pm 15^\circ$
Pattern	360° Azimuth, $\pm 15^\circ$ Elevation
Power	5 kw Average, 10 kw Peak (to 40 k ft.)
Efficiency	>85%
Roll Off	Min. Attenuation Between 30 and 76 MHz shall be 76 dB/Decade

### Mechanical

Weight	2.5 lbs.
Height	8.92 in.
Length	6.75 in.
Width	2.50 in.
Finish	Polyurethane Enamel
Connector	SC Female

### Environmental

Temperature	Operating and non-operating requirements of 3.2.24.1 of MIL-E-5400 for Class I equipment shall apply.
-------------	---



Please Note: For REFERENCE ONLY  
Contact Sensor Systems for latest drawing



A HEICO COMPANY

Website: [www.sensorantennas.com](http://www.sensorantennas.com)

Phone: 818-341-5366