

# UHF S65-1024



## Description

This is high-powered UHF, receive-only antenna is made from aluminum casting. The antenna is internally supported to offer maximum side loading effect and resistance to extreme temperatures.

The antenna is compatible with AWACS UHF communications.

**Federal & Military Certifications:** MIL-DTL-5541 and MIL-E-5400.

## Specifications

### Electrical

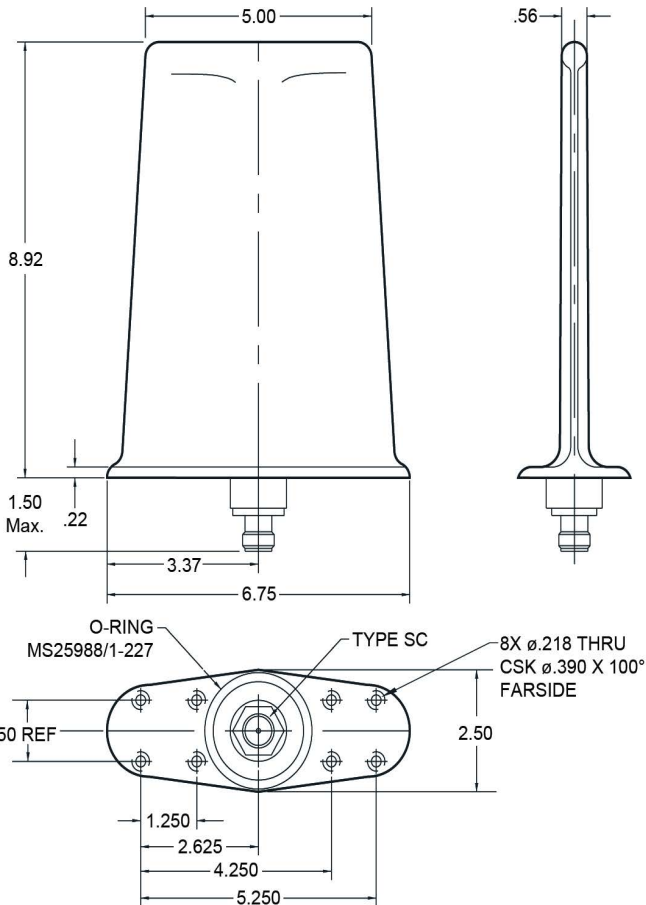
Frequency	225-400 MHz
VSWR	2.0:1
Gain	≥0 dBi (Avg. to ±15°) 7 dB (Min. gain within 7 dB of avg. or med.)
Polarization	Vertical ±15°
Pattern	360° Azimuth, ±15° Elevation
Noise Threshold	225-400 MHz: -130 DBM 400 KC B.W.
Efficiency	>85%
Roll Off	60 dB/decade below 225 MHz
EMP Protection	Yes

### Mechanical

Weight	2.5 lbs.
Height	8.92 in.
Length	6.75 in.
Width	2.50 in.
Finish	Polyurethane Enamel
Connector	SC Female
Drag	<4.5 lbs. M=.85 @ 25,000 ft.

### Environmental

Temperature	-55°C (-67°F) to + 85°C (+185°F)
Altitude	55,000 ft.



Please Note: For REFERENCE ONLY  
Contact Sensor Systems for latest drawing



A HEICO COMPANY

Website: [www.sensorantennas.com](http://www.sensorantennas.com)

Phone: 818-341-5366